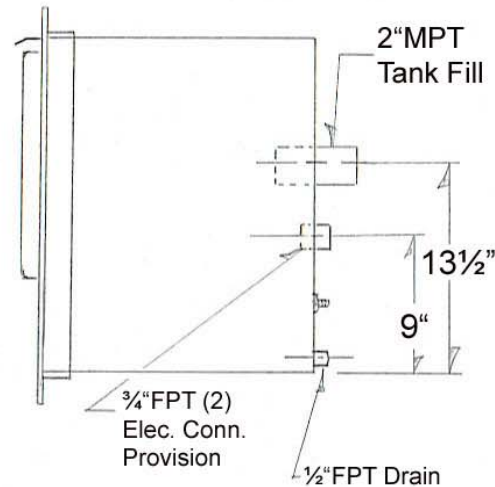
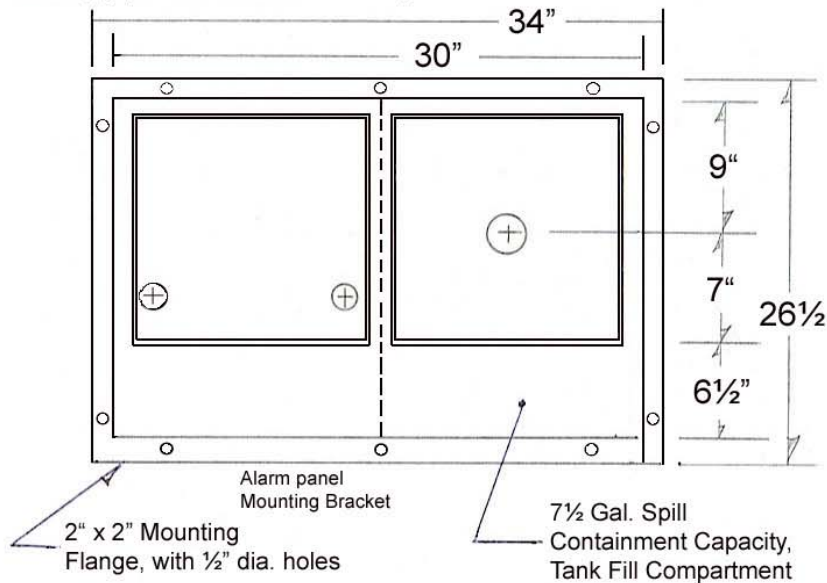


| MODEL | FILL | CAPACITY |
|------------|--------|-----------|
| 700IWCC-2P | 2" MPT | 7 1/2 GAL |

MATERIALS:

- **SPILL CONTAINMENT BOX:**
16GA STEEL
- **FITTINGS:**
SCH. 40 STEEL
- **COATING:**
ZINC RICH EPOXY
INTERIOR AND EXTERIOR
WHITE WITH A 2ND
EXTERIOR COATING OF
POLYESTER.

Key Lockable, gasketed doors (2). (RT. hand door not shown)



This drawing and design are proprietary to BAKER INDUSTRIES NORTHWEST, and may not be copied or duplicated in whole or in part without the written permission of BAKER INDUSTRIES NW.

**#700 SERIES SPILL CONTAINMENT FILL BOX/CONTROL BOX
2 COMPARTMENTS, IN-WALL MOUNTING**

BAKER INDUSTRIES NORTHWEST

12428 Highway 99 South, Unit 56
Everett, Washington 98204-5502

Tel: (425)212-3169 • FAX: (425)353-6788 • e-mail: larry@bakerindnw.com
www.bakerindustriessouthwest.com

REV

REV

REV

DRAWN

LRG

CHECKED

DATE

10-06-06

