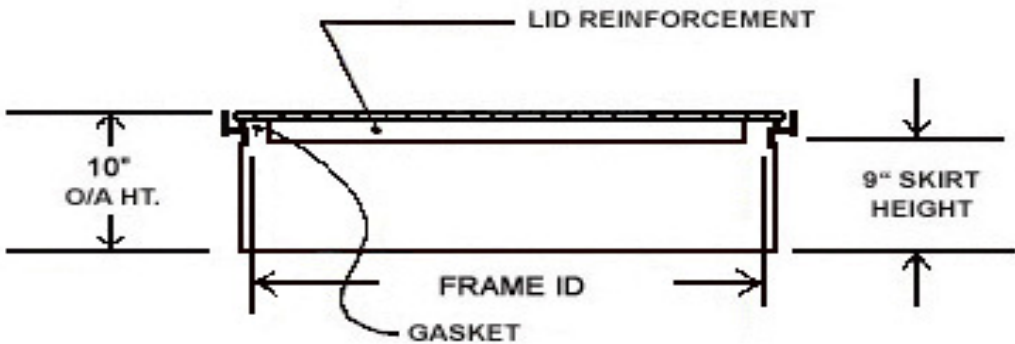


MODEL	FRAME ID	LID
400SQ-24	24"	26 $\frac{3}{4}$ "
400SQ-24E	21 $\frac{1}{4}$ "	24"
400SQ-20	20"	22 $\frac{3}{4}$ "
400SQ-20E	17 $\frac{1}{4}$ "	20"



MATERIALS:

- **LID:**
3/8" DIAMOND FLOOR PLATE, CARBON STEEL
- **BOLTS:**
STAINLESS STEEL
- **SKIRT:**
16GA GALVANIZED STEEL
- **GASKET:**
BUNA-N RUBBER, EXTRUDED
- **FRAME:**
1 $\frac{1}{2}$ " X 1 $\frac{1}{2}$ " X 3/16" HR STEEL ANGLE, 1/8" X 1" HR STEEL STRIP
- **HANDLE:**
3/8"DIA ROUND BAR STEEL

This drawing and design are proprietary to BAKER INDUSTRIES NORTHWEST, and may not be copied or duplicated in whole or in part without the written permission of BAKER INDUSTRIES NW.

**#400SQ SERIES GROUND LEVEL ACCESS BOX
BOLTED LID WITH GASKET**

BAKER INDUSTRIES NORTHWEST
12428 Highway 99 South, Unit 56
Everett, Washington 98204-5502
Tel:(425)212-3169 • FAX:(425)353-6788 • e-mail: larry@bakerindnw.com
www.bakerindustriesnorthwest.com

	DRAWN	CHECKED	DATE
REV	LRG	RBW	03-28-95
REV	SLG	LRG	03-05-06
REV			

